

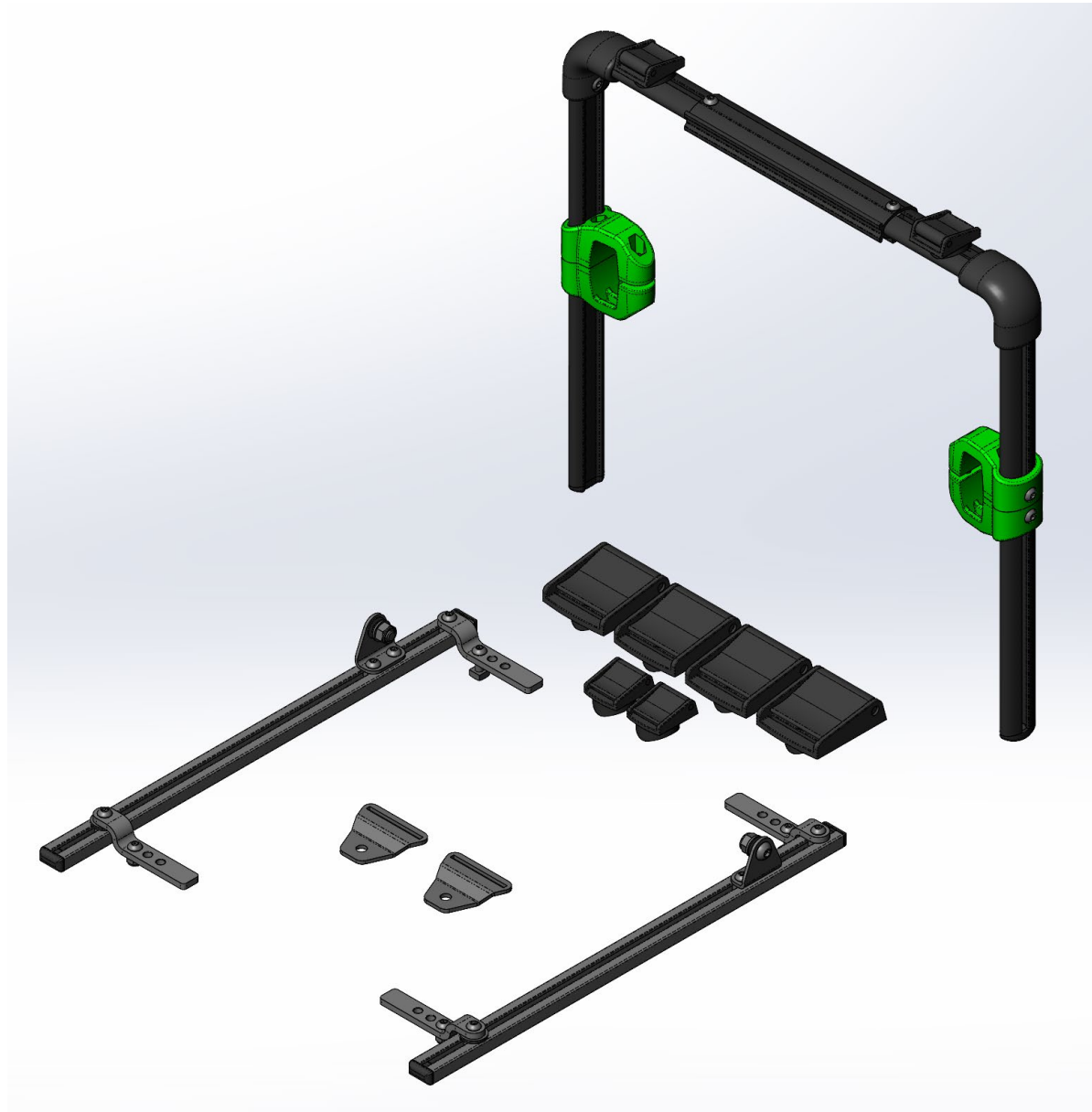


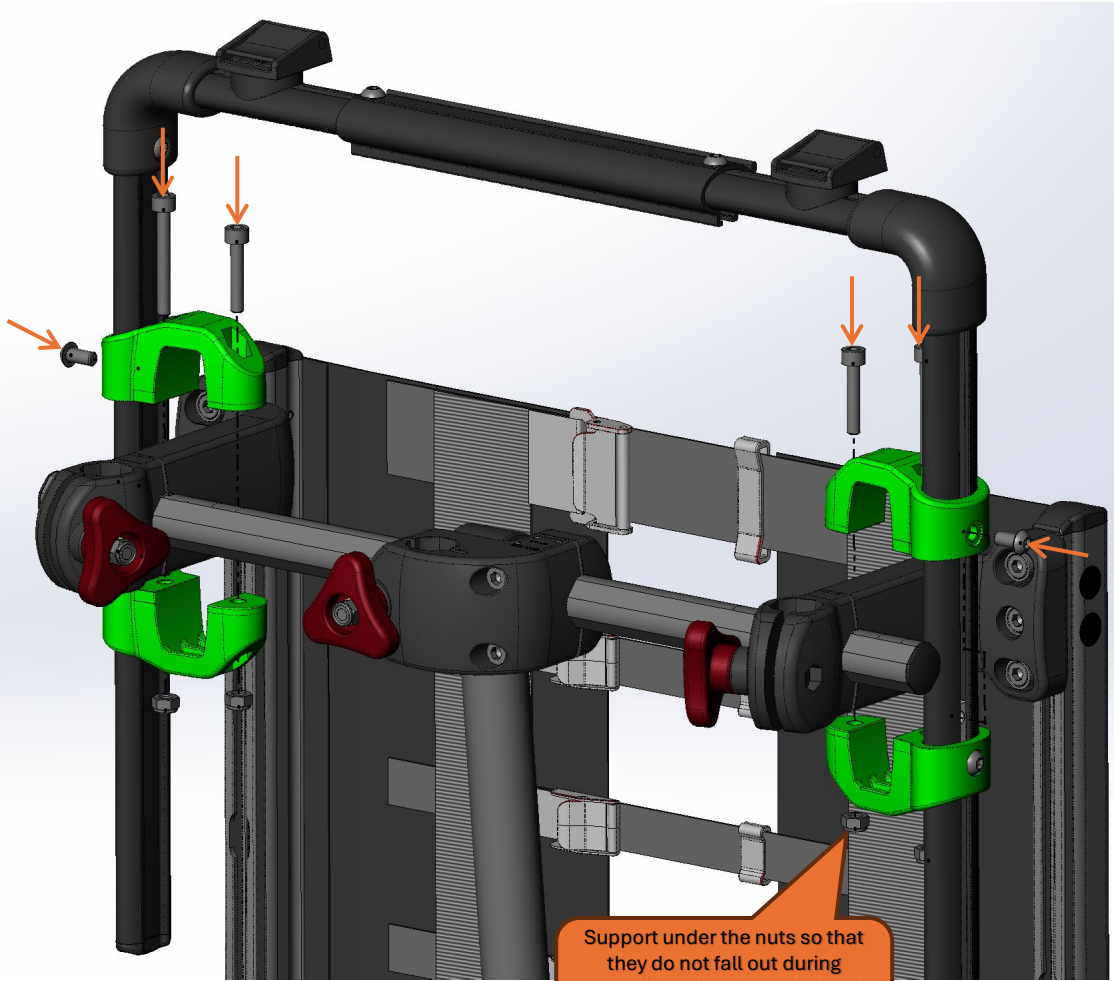
HIGH FIVE
for perfect fitting



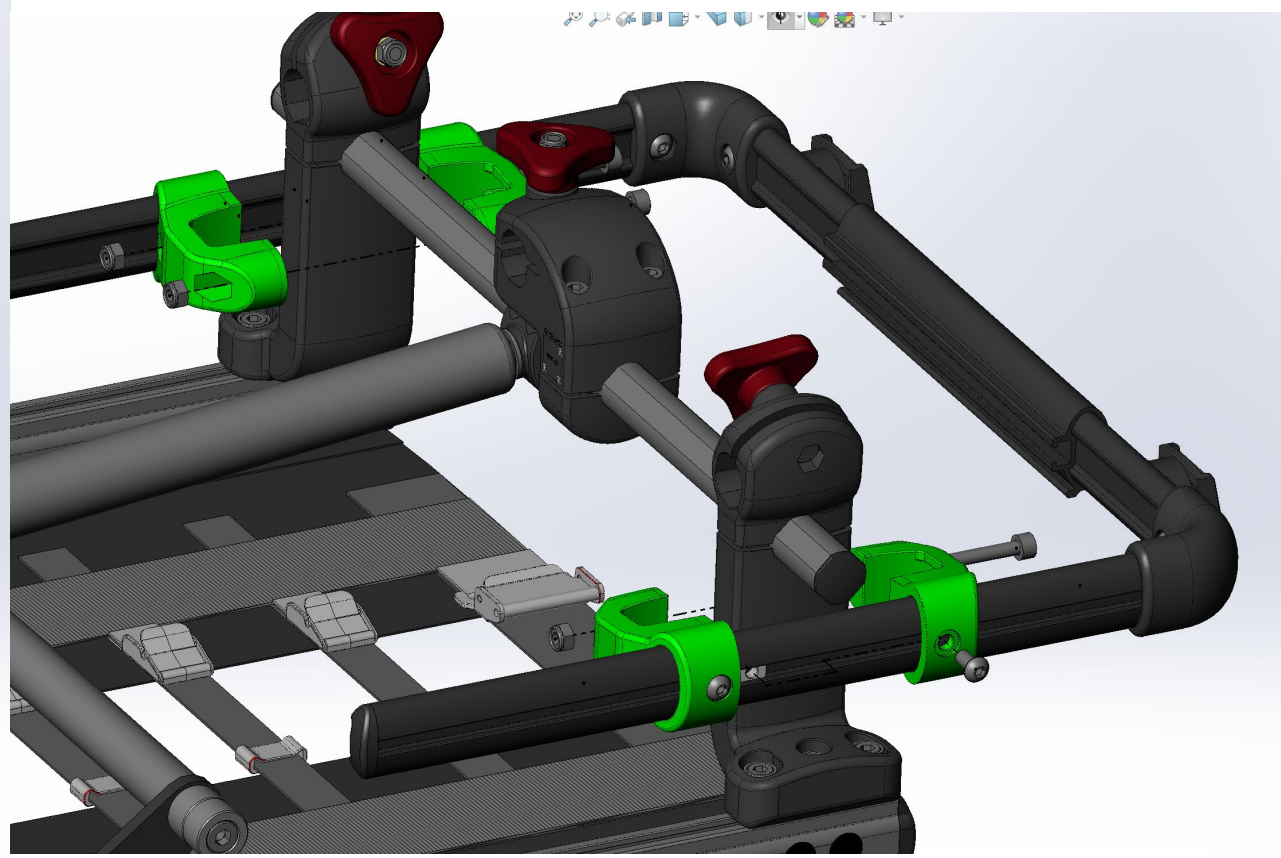
 **Netti**® V

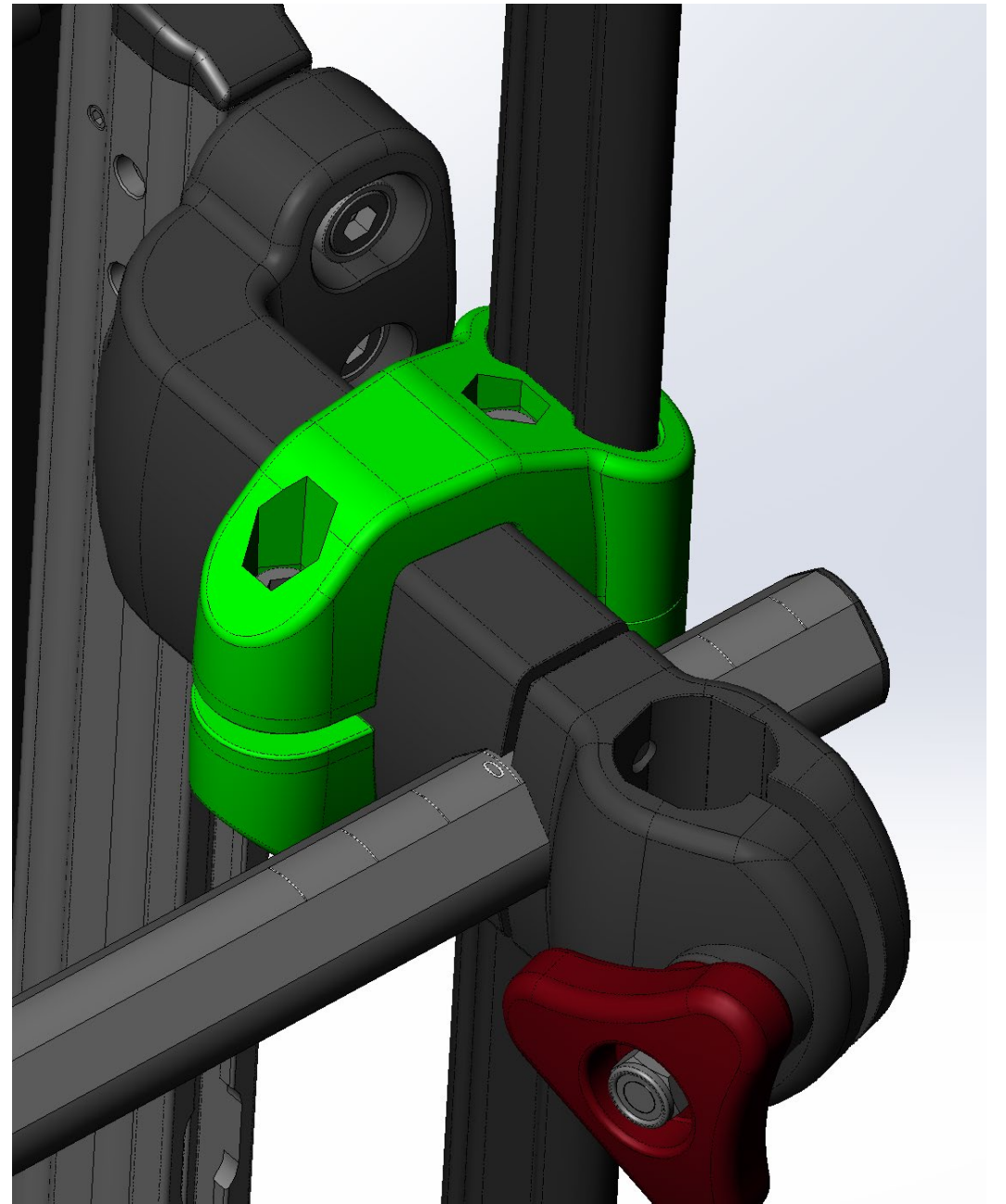
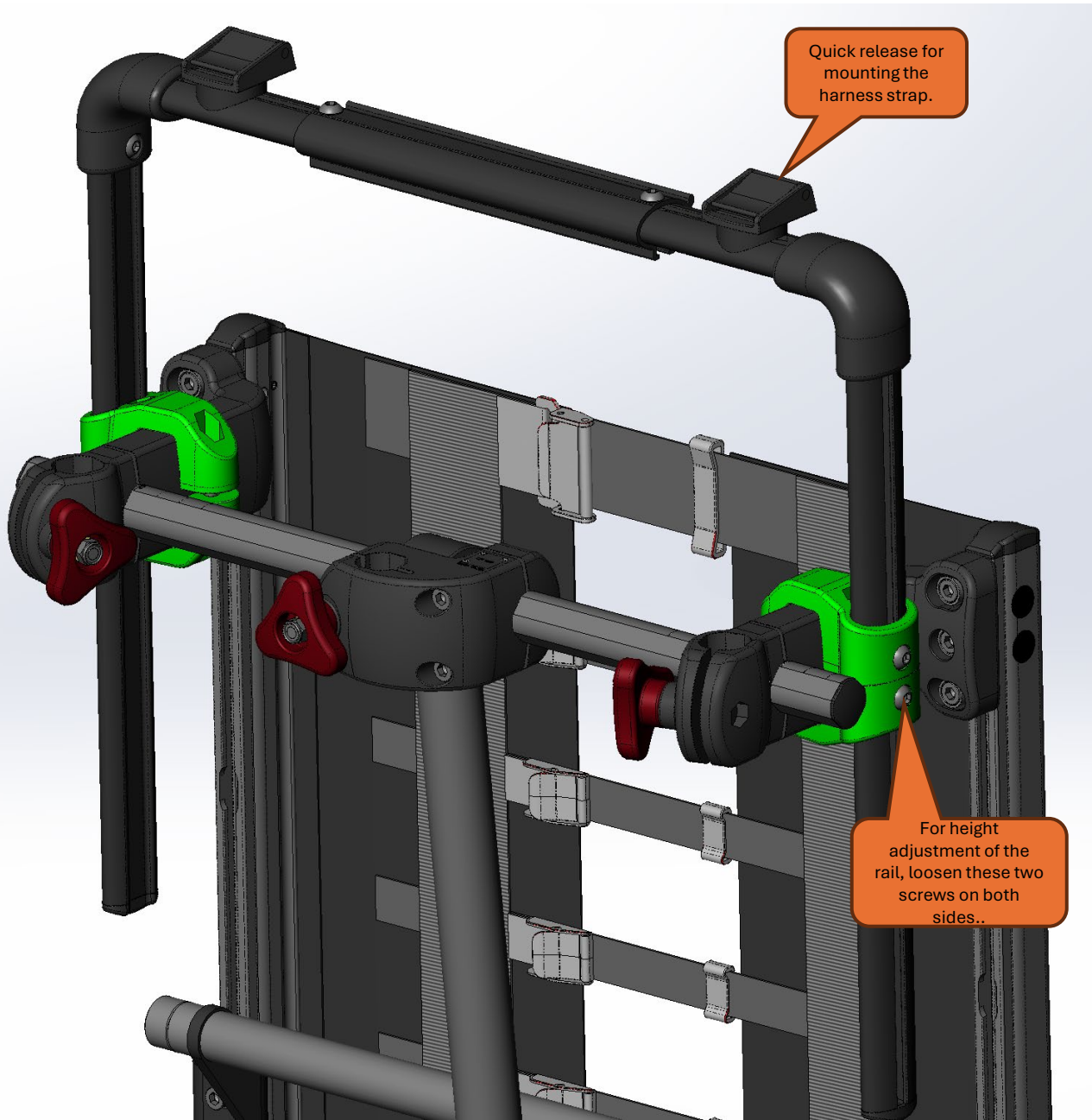
Mounting instruction
Harness attachment kit



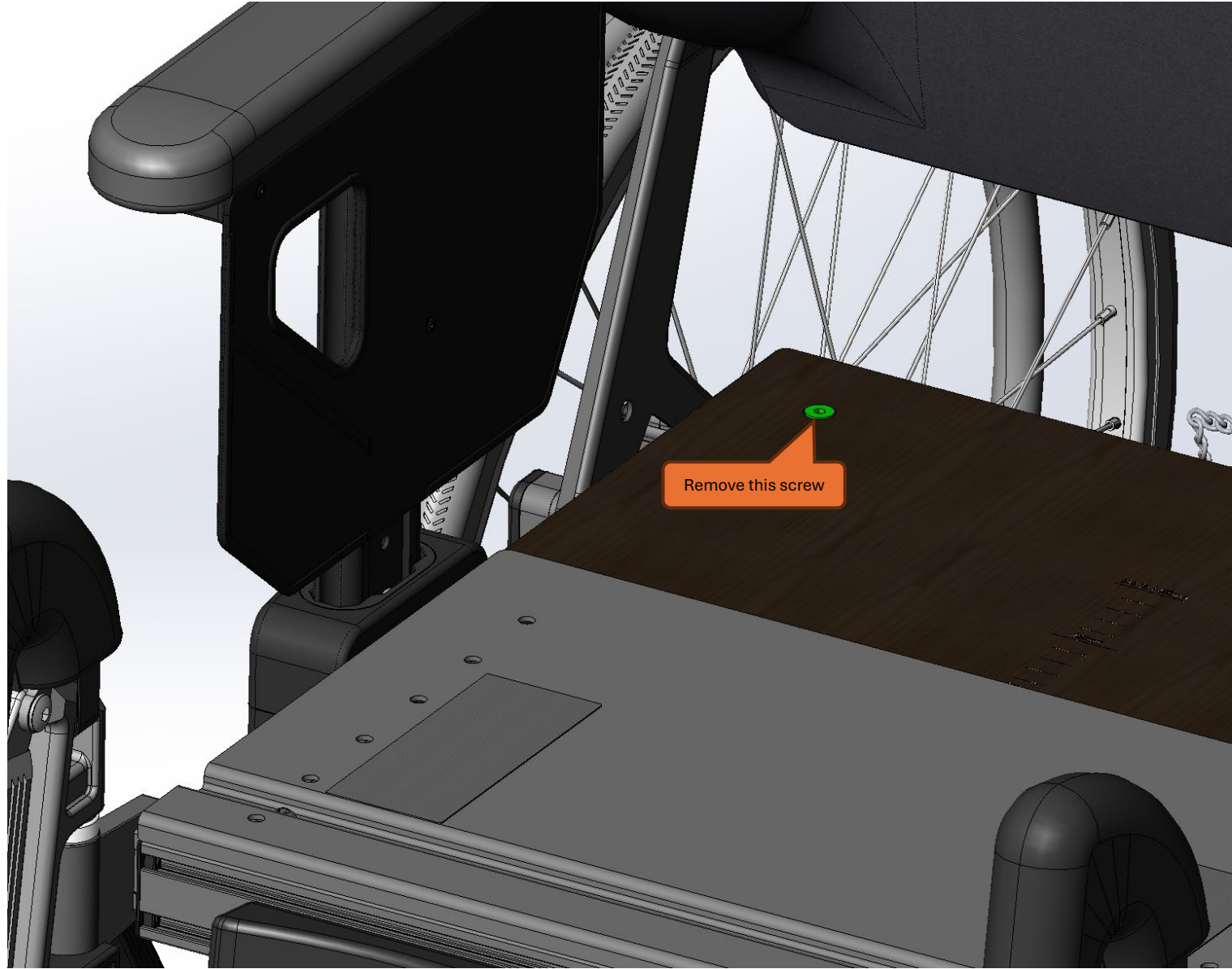


Support under the nuts so that they do not fall out during assembly or lay down the back horizontally to prevent the nuts from falling out.

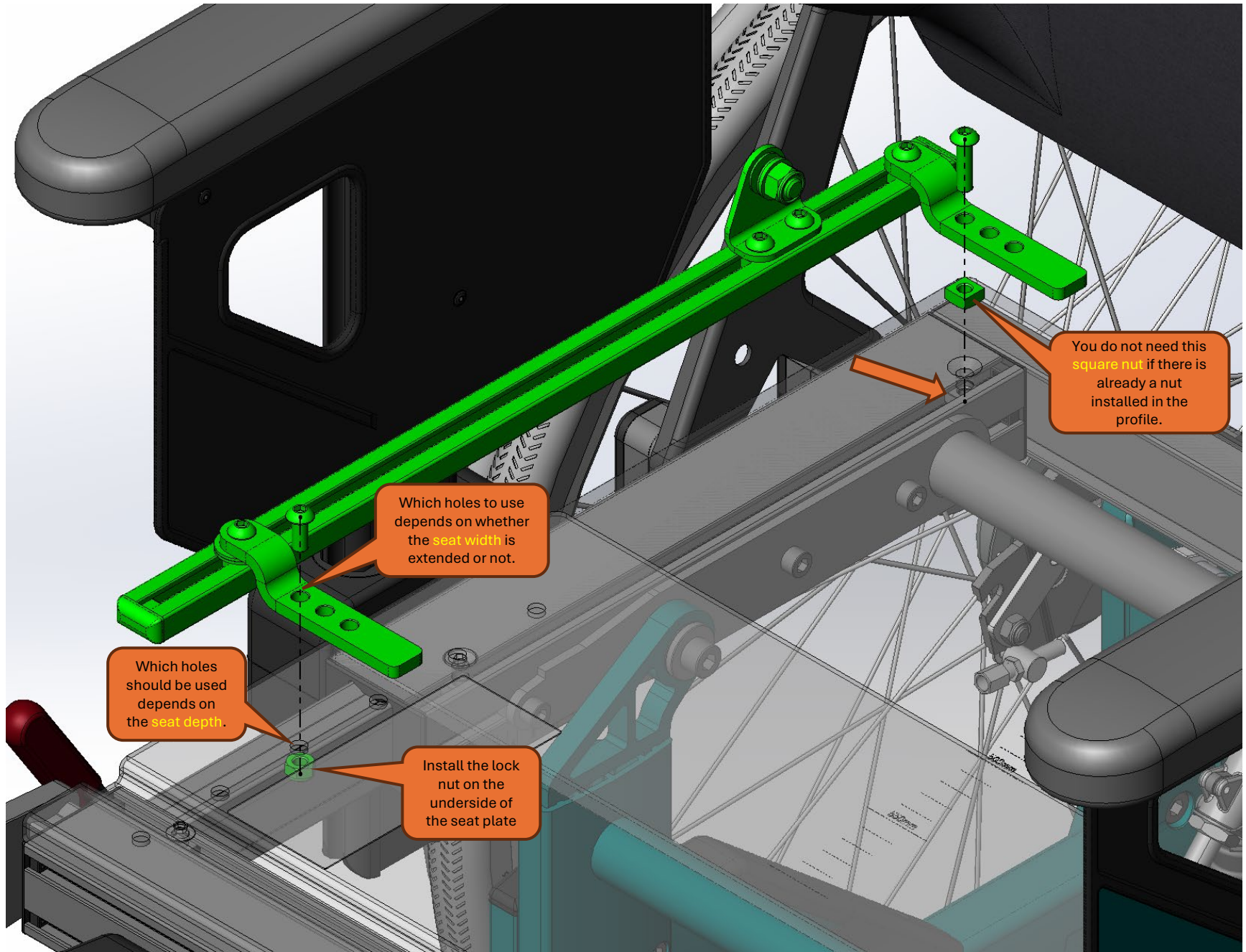








Remove this screw



Which holes to use depends on whether the **seat width** is extended or not.

Which holes should be used depends on the **seat depth**.

Install the lock nut on the underside of the seat plate

You do not need this **square nut** if there is already a nut installed in the profile.

