



Date _____ Customer code C- _____
 Invoice address _____ Contact person _____
 _____ Reference _____
 _____ Other delivery address _____

 Invoice address = delivery address Quote
 The chair will be used as seat for car transport.

Basic price 2.510,- € Excl. VAT

Seat width D64035 350 mm
 D64040 400 mm
 D64045 450 mm
 D64050 500 mm

Capacity Max. 135 kg
Seat height See page 9
Seat depth 425-500 mm adjustable by 25 mm per step (optional 375-450 mm with D64000)

D28002 Seat depth adjustment (Std: 500 mm) 425 mm 450 mm 475 mm 74,- €

D64000 **Short version CES+** (incl. 22" + 6" wheel) 315,- €

D28002 Seat depth adjustment (Std: 450 mm) 375 mm 400 mm 425 mm 74,- €

D22154 Side upholstery for armrest (reduces SW with 2 x 20 mm) 158,- €

D80913 Seat width extension kit (extends SW with 20 or 40 mm) 84,- €

■ = Standard equipment

Item	Description	Price in €
Standard ■	Head support A, with side support	0,-
D26574 <input type="checkbox"/>	Head support B, oval	0,-
D26573 <input type="checkbox"/>	Head rest C, square	0,-
D26576 <input type="checkbox"/>	Head support D, comfort (pressure distributive)	252,-
D82567 <input type="checkbox"/>	Head support A with head band (not approved for car transport – if this is needed please order an additional Netti headrest)	359,-
D82568 <input type="checkbox"/>	Extra comfort pads for the head band of D82567, pair	34,-
D64085 <input type="checkbox"/>	Drum brakes with quick release	263,-
D25059 <input type="checkbox"/>	Universal tray	236,-
D21052 <input type="checkbox"/>	Upholstery for tray	126,-
D86145 <input type="checkbox"/>	Side support Basic, pair	387,-

NORWAY: Alu Rehab AS | Bedriftsvegen 23 | N-4353 Klepp stasjon | post.klepp@Meyragroup.com | Phone +47 51 78 62 20
 DENMARK: Alu Rehab ApS | Kløftehøj 8 | DK-8680 Ry | info.ry@Meyragroup.com | Phone +45 87887300

D20845	<input type="checkbox"/>	Hip belt, with upholstery and car belt lock	126,-
D21122	<input type="checkbox"/>	3D cover for the complete chair	189,-
D21076	<input type="checkbox"/>	Configuration for car transportation for users higher than 185 cm incl.: D41006 Back extender 600 mm (only in combination with Netti Smart, Stabil or Super Stabil cushion to receive a back cushion height 600 mm) D21054 Vertical tube for headrest - 500 mm D82025 Headrest adapter in aluminium	588,-

FRAME

Standard	<input checked="" type="checkbox"/>	Push handles 300 mm	0,-
Standard	<input checked="" type="checkbox"/>	Anti tip – swingable	0,-
Standard	<input checked="" type="checkbox"/>	User brakes, brake handle can be folded forward	0,-
D86099	<input type="checkbox"/>	Brake lever extension +70 mm (length 200 mm) to be mounted by dealer	177,-
D81740	<input type="checkbox"/>	Push bow, height and angle adjustable	378,-
D28972	<input type="checkbox"/>	Anti tip with pedal, pair	210,-
D41074	<input type="checkbox"/>	Car fastener system, pair	179,-
D29474	<input type="checkbox"/>	Tilt restrictor (no negative tilt forward)	42,-
D28001	<input type="checkbox"/>	Frame extension including longer antitippers	315,-

BACK UNIT (please also see page 1 - for belts please see page 8)

Standard	<input checked="" type="checkbox"/>	Back cushion Netti Uno - with 100 mm side support - Easy Care cover	0,-
Standard	<input checked="" type="checkbox"/>	Back height 500 mm (incl. one piece fabric back)	0,-
D21137	<input type="checkbox"/>	Adjustable velcro back (mounting through local dealer)	294,-
D21138	<input type="checkbox"/>	Adjustable velcro with cut for side supports (mounting through local dealer)	315,-
D41006	<input type="checkbox"/>	Back extender 600 mm (only in combination with Netti Smart, Stabil or Super Stabil cushion to receive a back cushion height 600 mm)	233,-
D21338	<input type="checkbox"/>	Back cushion Netti Smart – with 120 mm side support - Easy Care cover	347,-
D27375	<input type="checkbox"/>	Side support correction with upholstery right – for Netti Uno and Smart	221,-
D27374	<input type="checkbox"/>	Side support correction with upholstery left – for Netti Uno and Smart	221,-
D21335	<input type="checkbox"/>	Back cushion Netti Stabil – with 170 mm side support - Easy Care cover	557,-
D21336	<input type="checkbox"/>	Back cushion Netti Super Stabil – with 170 mm reinforced side support - Easy Care cover	651,-
D20630	<input type="checkbox"/>	Back cushion Netti Kyphotic – 3D/Stella cover – only in combination with D21137 and for back height 500 mm	746,-

	<input type="checkbox"/>	Ride Designs Back solution (See separate order form) Article number: _____ / Accessories: _____	
D26831	<input type="checkbox"/>	Side support Stable left – for Netti Stabil, Super Stabil & Kyphotic	252,-
D26844	<input type="checkbox"/>	Side support Stable right – for Netti Stabil, Super Stabil & Kyphotic	252,-
D27541	<input type="checkbox"/>	Side support upholstery Stable, pair	158,-
		Libertas 15° back flexibility incl. long anti tips and frame extender (not for transport in car) <input type="checkbox"/> D82411 80N <input type="checkbox"/> D82412 120N <input type="checkbox"/> D82413 160N	Price on request


SEAT UNIT (please also see page 1 - for belts please see page 7)

Standard	<input checked="" type="checkbox"/>	Seat cushion Netti Uno with Easy Care cover	0,-
D21048	<input type="checkbox"/>	Incontinence cover for seat cushion	242,-
D21777	<input type="checkbox"/>	Pressure relief seat cushion Netti Sit with Easy Care cover	399,-
D21017	<input type="checkbox"/>	Pressure relief seat cushion Netti Sit °C with temperature regulating features and incontinence layer under the 3D cover	557,-
	<input type="checkbox"/>	Ride Designs Seat cushion (See separate order form) Article number: _____ / Accessories: _____	
D27493	<input type="checkbox"/>	Abduction block small (W: 80 mm x L: 140 mm x H: 80 mm)	263,-
D27494	<input type="checkbox"/>	Abduction block medium (W: 110 mm x L: 150 mm x H: 80 mm)	263,-
D27495	<input type="checkbox"/>	Abduction block large (W: 140 mm x L: 170 mm x H: 80 mm)	263,-

LEG SUPPORTS

For the Netti 4U CE Plus you have 2 different types of leg supports with various accessories. Please contact us for consultation.

Manually angle adjustable leg supports

	Standard	<input checked="" type="checkbox"/> Manually angle adjustable leg supports with -automatic length adjustment -angle adjustable foot plates -calf supports and knee upholstery	0,-
	D88211	<input type="checkbox"/> Leg support upper parts with lever instead of star wheel for angle adjustment	89,-
		Bodypoint ankle huggers with upholstery <input type="checkbox"/> D44863 S (L: 170-200 mm)	242,-



NORWA



Bedriftsvegen 23 | N-4353 Klepp stasjon | post.klepp@Meyragroup.com | Phone +47 51 78 62 20
Rehab ApS | Kløftehøj 8 | DK-8680 Ry | info.ry@Meyragroup.com | Phone +45 87887300

	<input type="checkbox"/>	D44864	M (L: 190-230 mm)	242,-
	<input type="checkbox"/>	D44865	L (L: 220-290 mm)	252,-
	<input type="checkbox"/>	D44904	XL (L: 280-330 mm)	273,-
D21745	<input type="checkbox"/>	Calf support bracket upholstery - pair - skai cover		63,-
D41617	<input type="checkbox"/>	Calf support upholstery extra soft - pair - EC or 3D cover depending on the fabric for the whole chair		221,-
D23014	<input type="checkbox"/>	Footfixation		147,-
D28453	<input type="checkbox"/>	Foot plate upholstery - pair - skai cover		305,-

Universal leg supports

D24005	<input type="checkbox"/>	Universal leg supports with knee angle adjustment, adjustable below 90° for contract leg situations with seat unit tilted when chair is pushed		137,-
				
				
		Bodypoint ankle huggers with upholstery incl. mounting kit		
	<input type="checkbox"/>	D44863	S (L: 170-200 mm)	242,-
	<input type="checkbox"/>	D44864	M (L: 190-230 mm)	242,-
	<input type="checkbox"/>	D44865	L (L: 220-290 mm)	252,-
	<input type="checkbox"/>	D44904	XL (L: 280-330 mm)	273,-
D23014	<input type="checkbox"/>	Footfixation		147,-

ARM SUPPORTS AND ACCESSORIES

Standard	<input checked="" type="checkbox"/>	Removable arm rests, height and depth adjustable		0,-
Standard	<input checked="" type="checkbox"/>	Arm pads 385 x 58 mm		0,-
D41649	<input type="checkbox"/>	Arm pad upholstery extra soft, EC or 3D cover depending on the fabric for the whole chair (can only be combined with a swingable/ lockable tray together with tray spacers)		116,-
D21077	<input type="checkbox"/>	Arm pads 420 x 80 mm		126,-
D41650	<input type="checkbox"/>	Arm pad upholstery extra soft for D21077, EC or 3D cover depending on the fabric for the whole chair (can only be combined with a swingable/ lockable tray together with tray spacers)		137,-
D23003	<input type="checkbox"/>	Hemiplegic cushion		221,-
D22185	<input type="checkbox"/>	Arm support hemiplegic, left (can only be combined with a tray in special adaptation)		336,-
D22186	<input type="checkbox"/>	Arm support hemiplegic, right (can only be combined with a tray in special adaptation)		336,-
D23001	<input type="checkbox"/>	Lock for arm support (mounting through local dealer)		84,-



NEW:

Push rim controlled drive unit and easy propulsion with joystick or attendant control – order directly by Netti together with the requested comfort wheelchair. Please use separate order form

MAIN WHEELS

Standard	<input checked="" type="checkbox"/>	Main wheels 24 x 1" PU, galvanized with quick release	0,-
D22007	<input type="checkbox"/>	Main wheels 22 x 1" PU incl. 6" front wheels	147,-
D20834	<input type="checkbox"/>	One hand drive for 24" wheels PU – left Cannot be combined with drum brakes.	1.239,-
D20836	<input type="checkbox"/>	One hand drive for 24" wheels PU – right Cannot be combined with drum brakes.	1.239,-
INT70315	<input type="checkbox"/>	Main wheels 12½" PU with drum brakes – frame brakes are not compatible with the 12" wheels. Please contact us for an offer of a frame brake option. (Please note! Mounting of brake plates and handles for drum brakes is prepared by us, but the wheels are to be mounted by the dealer).	461,-
INT70316	<input type="checkbox"/>	Main wheels 16" PU with drum brakes. (Please note! Mounting of brake plates and handles for drum brakes is prepared by us, but the wheels are to be mounted by the dealer).	461,-
D22009	<input type="checkbox"/>	Hand- and spoke protector, pair (not for one hand drive)	158,-
D22013	<input type="checkbox"/>	Push rim cover, pair	126,-


FRONT WHEELS

Standard	<input checked="" type="checkbox"/>	Front wheels: 7" -175 x 33 PU	0,-
D21021	<input type="checkbox"/>	Front wheels: 7" – 175 x 45 PU wheel - puncture proof - with PU infill (necessary for supportive engines)	95,-

HEAD SUPPORTS AND ACCESSORIES FOR HEAD SUPPORTS (please also see page 1)

D82025	<input type="checkbox"/>	Headrest adapter aluminium	252,-
D27577	<input type="checkbox"/>	Headrest E with adjustable side supports	326,-
D27578	<input type="checkbox"/>	Headrest F with cheek support (not approved for car transport – if this is needed please order an additional Netti headrest)	326,-
D23004	<input type="checkbox"/>	Comfort cushion for head rest type C – removable with Stella cover	189,-
D23012	<input type="checkbox"/>	Easy Care cover for head rest type A, B, C – removable	95,-
D23013	<input type="checkbox"/>	3D cover for head rest type A, B, C – removable	95,-
D23015	<input type="checkbox"/>	Grey head rest cushion with Stella cover	242,-
D21064	<input type="checkbox"/>	Headrest adjustment tube (horizontal) + 50 mm, length 200 mm	95,-
D21027	<input type="checkbox"/>	Headrest adjustment tube (horizontal) + 100 mm, length 250 mm	95,-
D21065	<input type="checkbox"/>	Headrest adjustment tube (horizontal) + 150 mm, length 300 mm	95,-
D21028	<input type="checkbox"/>	Headrest adjustment tube (horizontal) + 230 mm, length 380 mm	105,-

NORWAY: Alu Rehab AS | Bedriftsvegen 23 | N-4353 Klepp stasjon | post.klepp@Meyragroup.com | Phone +47 51 78 62 20
DENMARK: Alu Rehab ApS | Kløftehøj 8 | DK-8680 Ry | info.ry@Meyragroup.com | Phone +45 87887300

D21054	<input type="checkbox"/>	Headrest adjustment tube (vertical) + 100 mm, length 500 mm	95,-
		 <p>[A] [B] [C]</p>	
D45370	<input type="checkbox"/>	[A] Savant head support incl. headband, small – height 130 mm User forehead 460-560 mm User ½ circumference behind ears 150-180 mm Inside distance along top support 300 mm, along middle support 180 mm (not approved for car transport – if this is needed please order an additional Netti headrest)	Price on request
D45371	<input type="checkbox"/>	[A] Savant head support incl. headband, adult – height 150 mm User forehead 560-610 mm User ½ circumference behind ears 200-300 mm Inside distance along top support 360 mm, along middle support 200 mm (not approved for car transport – if this is needed please order an additional Netti headrest)	Price on request
D45373	<input type="checkbox"/>	[B] Side pads for Savant head support. For extra lateral support. For the upper arms of the head support. Cannot be combined with the headband	Price on request
D45375	<input type="checkbox"/>	Headrest adjustment tube (horizontal) +100 mm, length 250 mm	Price on request
D45368	<input type="checkbox"/>	[C] Axion head support rotary interface, permits a lateral rotation of 60°. Only for Savant headrests. (not approved for car transport – if this is needed please order an additional Netti headrest)	Price on request
D45376	<input type="checkbox"/>	Axion head support rotary interface, permits a lateral rotation of 90°. Only for Savant headrests. (not approved for car transport – if this is needed please order an additional Netti headrest)	Price on request
D89558	<input type="checkbox"/>	[C] Axion head support rotary interface, permits a lateral rotation of 60°. Only for Netti headrests. (not approved for car transport – if this is needed please order an additional standard Netti headrest)	Price on request
D89559	<input type="checkbox"/>	Axion head support rotary interface, permits a lateral rotation of 90°. Only for Netti headrests. (not approved for car transport – if this is needed please order an additional standard Netti headrest)	Price on request

TRAYS (please also see page 1)

D21050	<input type="checkbox"/>	Tray reinforced	399,-
D24001	<input type="checkbox"/>	Tray swingable	273,-
D93316	<input type="checkbox"/>	Tray spacer for swingable tray – necessary if a tray is combined with soft upholstery for armpads D41649/D41650	30,-
D24002	<input type="checkbox"/>	Tray lockable	273,-
D93315	<input type="checkbox"/>	Tray spacer for lockable tray – necessary if a tray is combined with soft upholstery for armpads D41649/D41650	20,-

VARIOUS ACCESSORIES

D21239	<input type="checkbox"/>	Tool kit	105,-
D41987	<input type="checkbox"/>	Intravenous rack	336,-

BELT OPTIONS FROM BODYPOINT AND NETTI

Belts and accessories for seat unit



D86282	<input type="checkbox"/>	Belt bracket kit – seat [A]	109,-
D20845	<input type="checkbox"/>	Hip belt, with upholstery and car belt lock [B]	125,-
D86902	<input type="checkbox"/>	Bodypoint 2-point pelvic stabiliser Evoflex incl. mounting kit [A+C] XS (overall pad length: 380 mm)	280,-
D86891	<input type="checkbox"/>	M (overall pad length: 460 mm)	
D86892	<input type="checkbox"/>	L (overall pad length: 620 mm)	
D45273	<input type="checkbox"/>	Bodypoint 2-point hip belt incl. mouting kit [A+F] XS (overall pad length: 360 mm)	252,-
D45274	<input type="checkbox"/>	S (overall pad length: 400 mm)	
D45275	<input type="checkbox"/>	M (overall pad length: 460 mm)	
D45040	<input type="checkbox"/>	Security cover for type [C], [D] and [F] in XS/M/L	74,-
D86889	<input type="checkbox"/>	Bodypoint 4-point pelvic stabiliser incl. mounting kit [2xA+D] XS (overall pad length: 360 mm)	423,-
D86893	<input type="checkbox"/>	M (overall pad length: 460 mm)	
D86894	<input type="checkbox"/>	L (overall pad length: 620 mm)	
D60001	<input type="checkbox"/>	Abduction belt [E]	557,-
D45084	<input type="checkbox"/>	Bodypoint supportive universal elastic strap S (Height 80 mm - 1420 mm long, easily cut-to-length)	189,-
D45085	<input type="checkbox"/>	L (Height 110 mm - 1420 mm long, easily cut-to-length)	
D45086	<input type="checkbox"/>	XL (Height 150 mm - 1420 mm long, easily cut-to-length)	



Belts and accessories for back unit

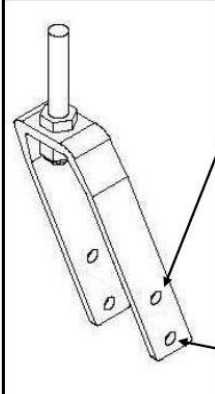
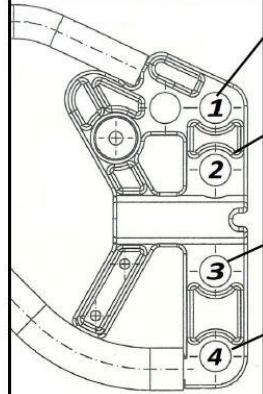


D86890	<input type="checkbox"/>	H-harness adaptor kit (recommended for all upper body harnesses) A]	278,-
D20881	<input type="checkbox"/>	H-belt, with upholstery and car belt lock [B]	263,-
D41645	<input type="checkbox"/>	Belt cross harness [C]	200,-
		Bodypoint Stayflex chest support without zipper [D]	274,-
D89805	<input type="checkbox"/>	XS (Shoulder width 240-280 mm)	
D89898	<input type="checkbox"/>	S (Shoulder width 380-330 mm)	
D86895	<input type="checkbox"/>	M (Shoulder width 330-410 mm)	
D86896	<input type="checkbox"/>	L (Shoulder width 410-480 mm)	
		Bodypoint Pivofit shoulder harness [E]	274,-
D89802	<input type="checkbox"/>	XS (Shoulder width 240-280 mm)	
D89803	<input type="checkbox"/>	S (Shoulder width 380-330 mm)	
D86898	<input type="checkbox"/>	M (Shoulder width 330-410 mm)	
D86899	<input type="checkbox"/>	L (Shoulder width 410-480 mm)	

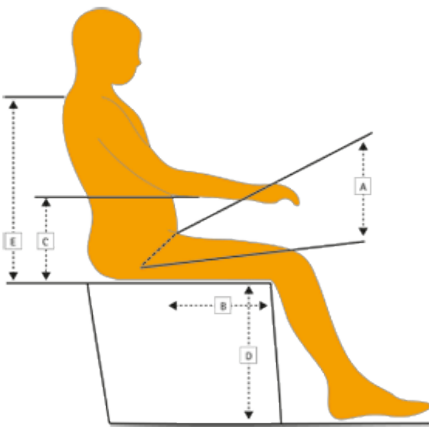
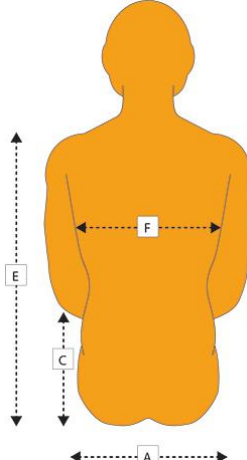
TECHNICAL DATA

Tilt (seat)	-5° to +20°
Recline (back)	90° to 135°
Total width of the wheelchair	Seat width + 180 mm (std. wheels)/ + 195 mm (DB wheels) / +170 mm (12" + 16" DB wheels)
Total length	1020 mm with leg rests
Total height	1050 mm
Distance arm support to seat plate	Min. 270 mm/ max. 360 mm
Weight of wheelchair	App. 29 kg (without cushions)
Frame colour	Silver
Cover variant	Easy Care (optional 3D cover with D21122)
Crash test	ISO 7176-19 (135 kg)

Seat height – WITHOUT seat cushion (measured from floor to seat plate)

<p>Netti 4U comfort <u>View side frame left</u></p>	<p>Seat heights by using different rear/front wheels and different frame- and front castor positions</p>
<div style="border: 1px solid black; padding: 5px; margin-bottom: 10px; text-align: center;"> <p>Front wheel</p> </div>  <div style="border: 1px solid black; padding: 5px; margin-bottom: 10px;"> <p>Front wheel upper hole = Rear hole 1 22" = 440 mm Rear hole 1 24" = 465 mm Rear hole 3 16" = 460 mm Rear hole 4 12" = 460 mm</p> </div> <div style="border: 1px solid black; padding: 5px;"> <p>Front wheel lower hole= Rear hole 2 22" = 475 mm Rear hole 2 24" = 500 mm Rear hole 4 16" = 510 mm</p> </div>	<div style="border: 1px solid black; padding: 5px; margin-bottom: 10px; text-align: center;"> <p>Frame rear side</p> </div>  <div style="border: 1px solid black; padding: 5px; margin-bottom: 5px;"> <p>Hole 1 = 22" & 24" 22" = Seat height 440 mm 24" = Seat height 465 mm STD</p> </div> <div style="border: 1px solid black; padding: 5px; margin-bottom: 5px;"> <p>Hole 2 = 22" & 24" 22" = Seat height 475 mm 24" = Seat height 500 mm</p> </div> <div style="border: 1px solid black; padding: 5px; margin-bottom: 5px;"> <p>Hole 3 = 16" Seat height 460 mm</p> </div> <div style="border: 1px solid black; padding: 5px;"> <p>Hole 4 = 12" & 16" 12" = Seat height 460 mm 16" = Seat height 510 mm</p> </div>

Leg rest type	Min. calf length	Max. calf length
Manual adjustable leg rests	320 mm	680 mm
Universal leg rests	360 mm	500 mm

Measurements

A Hip width/Seat width _____ mm

B Thigh length / seat depth _____ mm

C Arm rest height _____ mm

D Leg length / seat height _____ mm

E Backrest height _____ mm

F Trunk width _____ mm

NORWAY: Alu Rehab AS | Bedriftsvegen 23 | N-4353 Klepp stasjon | post.klepp@Meyragroup.com | Phone +47 51 78 62 20
 DENMARK: Alu Rehab ApS | Kløftehøj 8 | DK-8680 Ry | info.ry@Meyragroup.com | Phone +45 87887300