

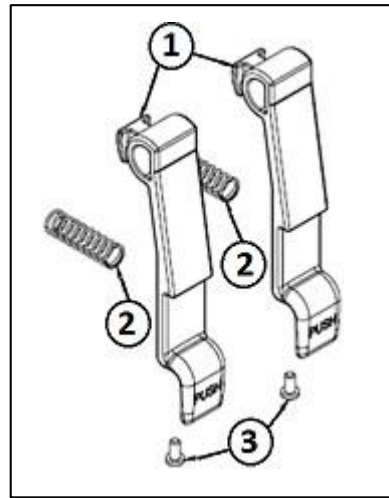


Mounting description

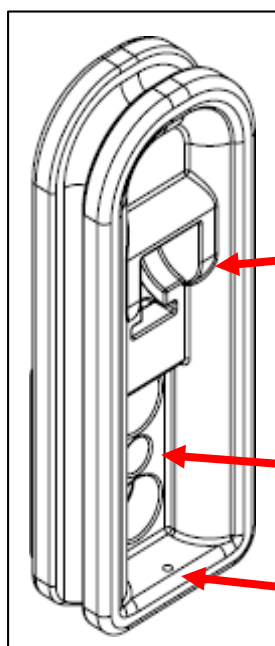
Arm rest lock kit Netti 4U CE Plus

The kit consists of following parts:

- | | |
|---------------------------|----------|
| 2 X Locking lever | - Pos. 1 |
| 2 X Spring | - Pos. 2 |
| 2 X Lever fastening screw | - Pos. 3 |



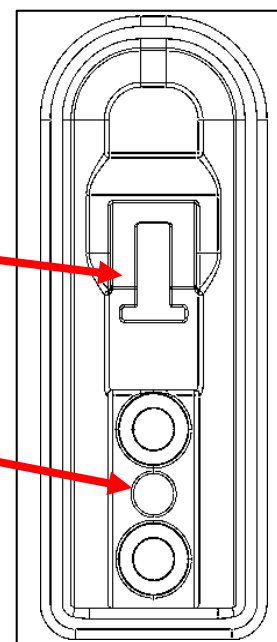
Before starting the assembly work, please check that all components listed above are present. The arm rest lock will be added to the arm rest bracket located on the wheelchair.



The upper part of the locking lever is attached here in this notch.

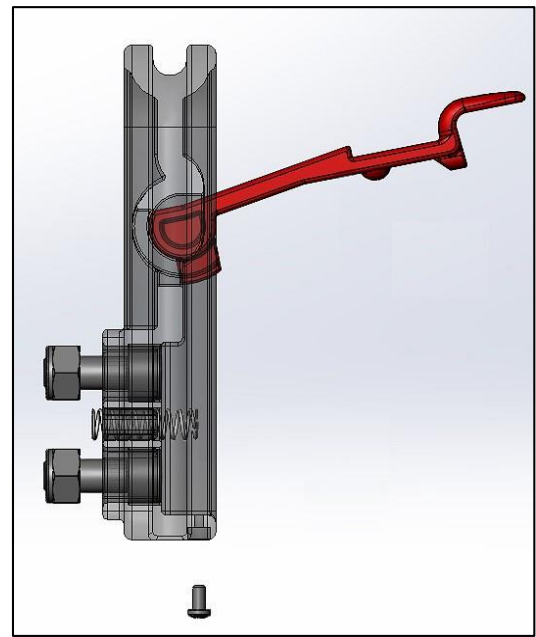
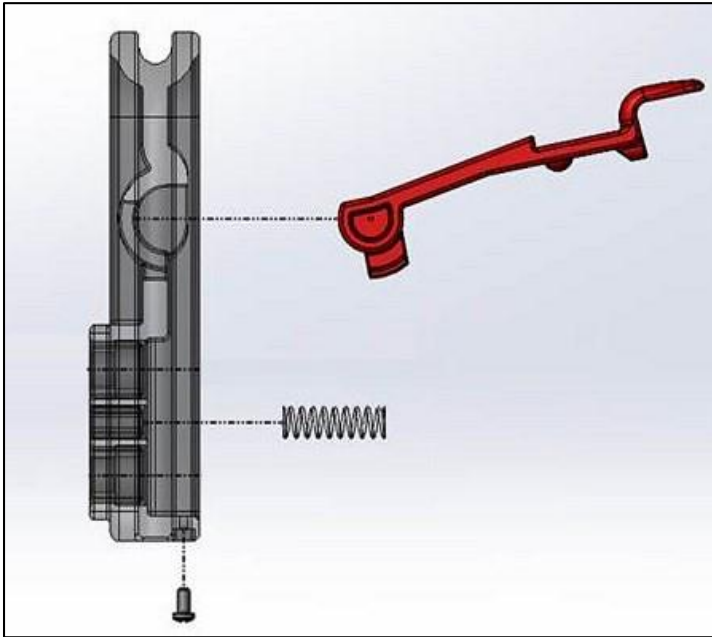
The spring will be placed in the middle hole of the arm rest bracket.

The lever fastening screw will be inserted here.

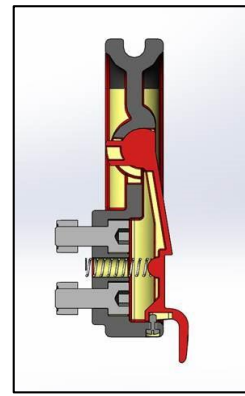
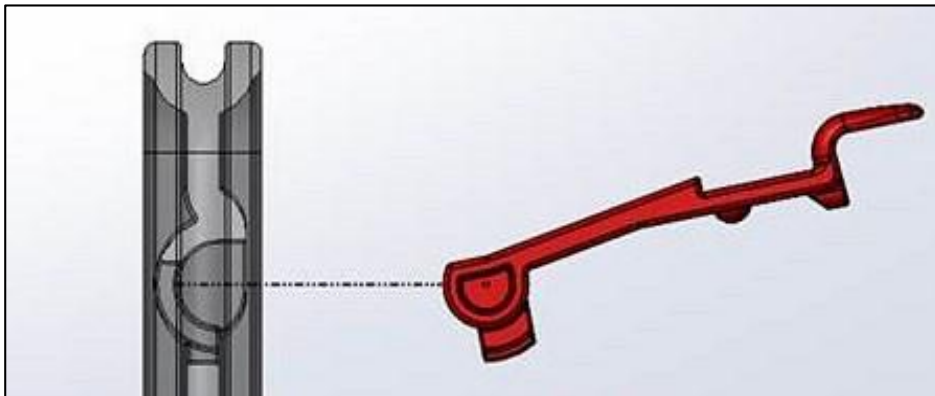


MD0125 UK 2025-04

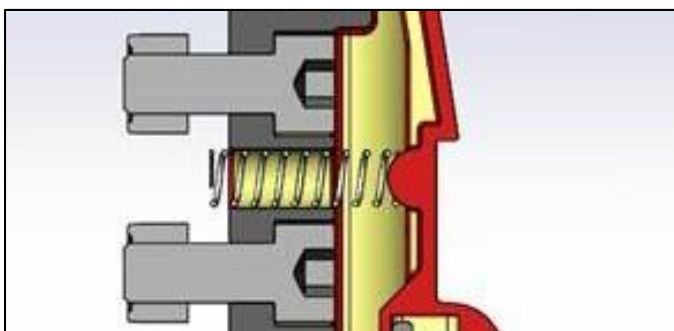
In the following 2 pictures you can see where the locking lever is inserted into the armrest bracket and where the spring as well as the lever fastening screw is placed.



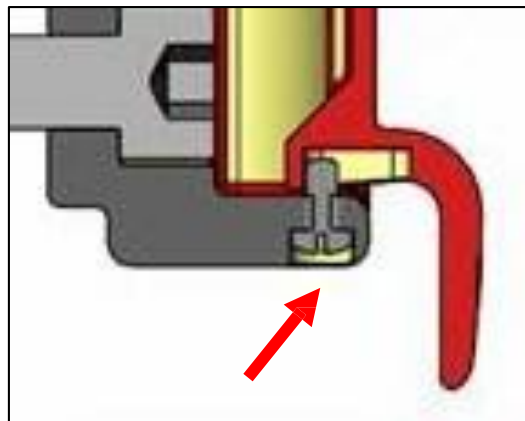
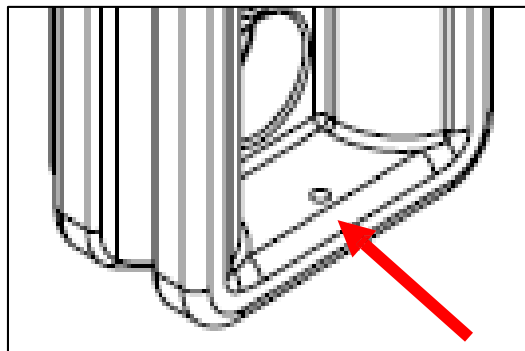
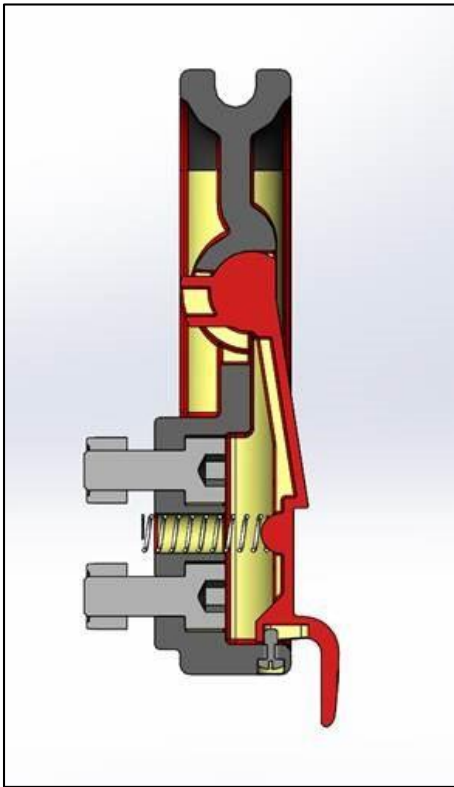
Start the mounting by placing the locking lever horizontally against the armrest bracket and slide it into the recess provided in the bracket for this purpose. Then fold the lever down.



Raise the lever so far that you can insert the spring into the centre hole of the armrest bracket. Then, move the lever down again, making sure that the little buckle at the backside of the lever will meet the spring right in the middle. This will keep the spring in position.



Take the lever fastening screw and screw it through the arm rest bracket hole into the hole of the lever.



In the lever there is a long hole, which allows a movement of the lever to lock the armrest automatically after insertion.

To remove the armrest from the wheelchair, push the lever inwards and pull the armrest out of the bracket at the same time.

Do you have further question regards this product?

Please contact our customer service for additional information.