

Date _____

Invoice address _____

Invoice address = delivery address

Customer code C- _____

Contact person _____

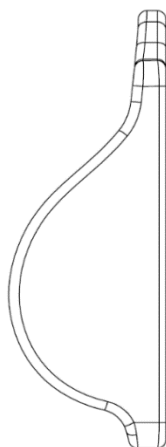
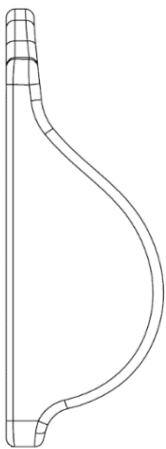
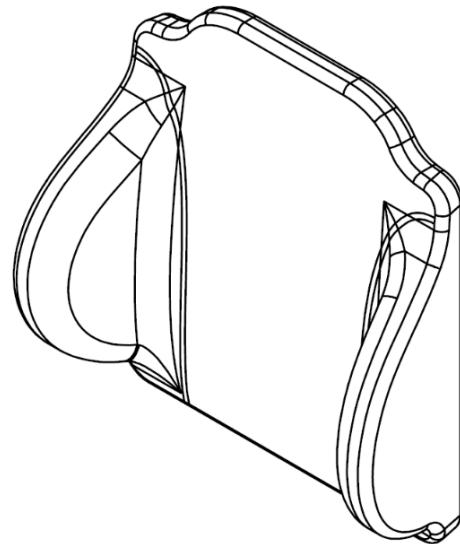
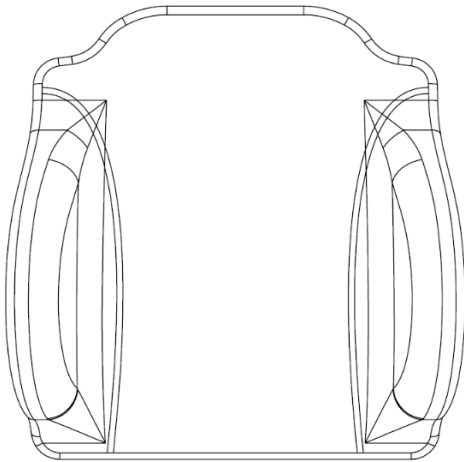
Reference _____

Other delivery address _____

Quote

For Netti Smart, Netti Stabil or Netti Super Stabil cushions

Please use these drawings underneath to let us know how we can customize the back cushion for your customers specific need and challenge.

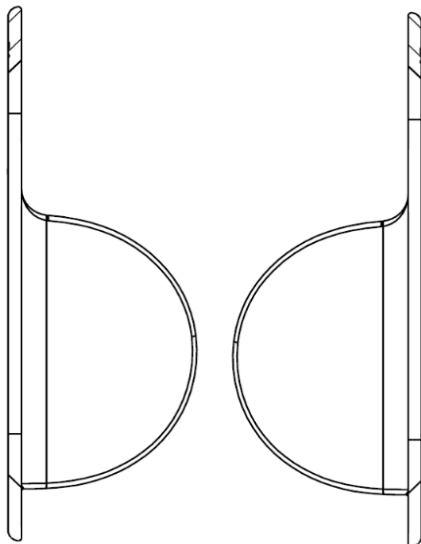
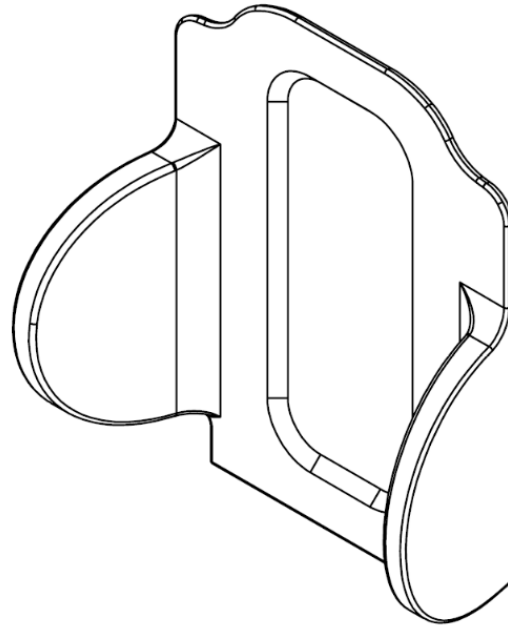
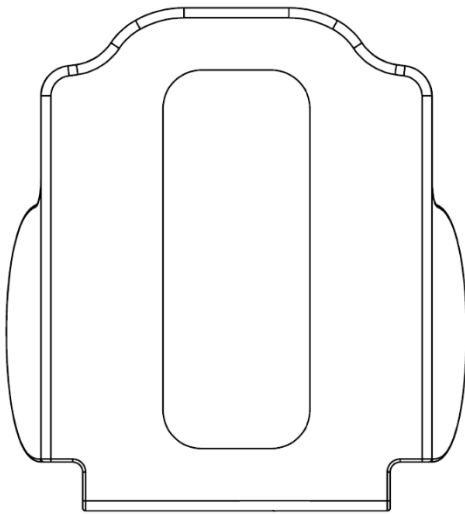


Right side support

Left side support

For Netti Kyphotic

Please use these drawings underneath to let us know how we can customize the back cushion for your customers specific need and challenge.



Right side support

Left side support

For Netti Sit cushion

Please use this drawing underneath to let us know how we can customize the seat cushion for your customers specific need and challenge.

