

MOUNTING DESCRIPTION

Seat width extension kit 80913 for
NETTI 4U CE PLUS

Enable joy of life

NETTI 4U CE PLUS

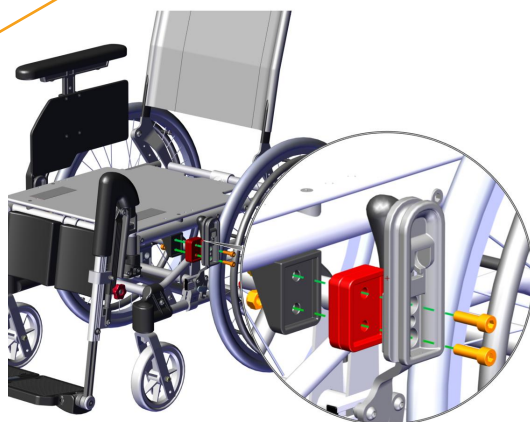
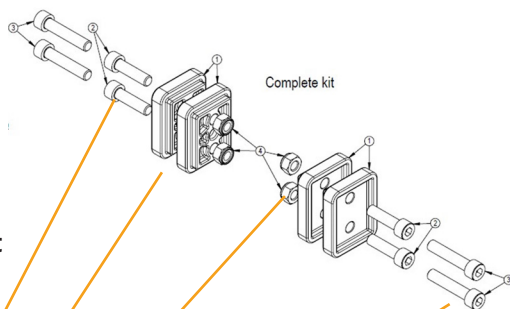
SEAT WIDTH EXTENSION KIT 80913

The drawing shows a complete kit of 80913 which consist of:

- 4 M8 X 30 Hex socket head screws - Number 2 in this drawing
- 2 pairs of spacer plates to adjust 2 or 4 cm extension (1 pair for each side) - Number 1 in this drawing
- 4 M8 Lock nuts - Number 4 in this drawing.
- 4 M8 X 40 Hex socket head screws - Number 3 in this drawing.

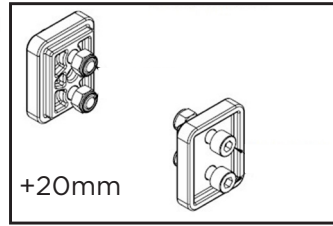
How to add the extension kit to a Netti 4U CE PLUS:

- Remove the armrest on both sides. Now you get access to the support guide and armrest bracket.
- Remove the arm rest support guid guide bar on both sides.
- According to your needed seat width you want to adjust you now have to add 1 or 2 spacer plates on both sides between frame bracket and support guide bar.



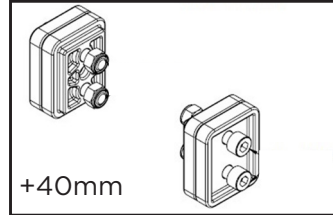
- If you add 1 spacer on each side you will increase the seat width with **20 mm**.

You need to use the bolts **M8 X 30**

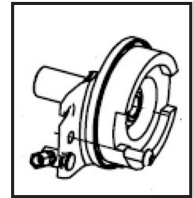
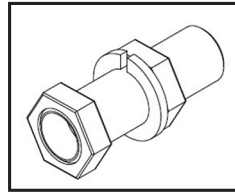


- If you add 2 spacer on each side you will increase the seat width with 40 mm

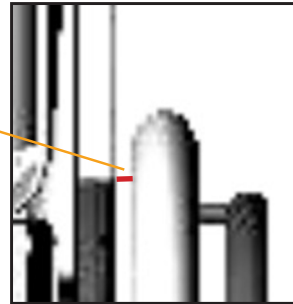
You need to use the bolts **M8 X 40**



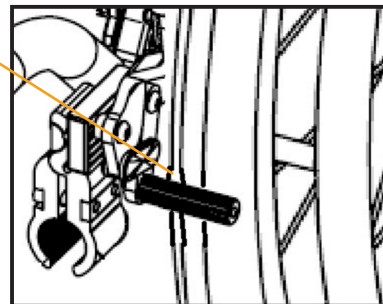
- After you have added the spacer plates you need to adjust the main wheel bushings to get the main wheels more out.



- To avoid contact of wheel and arm rest the space between arm rest and wheel should have minimum 20 mm.



- Finally you have to adjust the brakes on both side to get the brake bolt touching the main wheel properly right in the middle.



You can find this manual also on our web page: <http://www.my-netti.com/downloads/manuals>

Feel free to contact us if you have further questions.

IN DIALOGUE WE CREATE
SIMPLE SOLUTIONS AND
ENABLE JOY OF LIFE



This product conforms to
93/42/EEC for medical products.

2015-09 UK

FEEL FREE TO CONTACT US:



Alu Rehab AS
Bedriftsvegen 23
4353 Klepp Stasjon
NORWAY

T: +47 51 78 62 20
post@My-Netti.com

Alu Rehab ApS
Kløftehøj 8
DK-8680 Ry

T: +45 87 88 73 00
F: +45 87 88 73 19
info@My-Netti.com

My-Netti.com