

MOUNTING DESCRIPTION

FIXING RIDE DESIGN BACKS:

- ➔ RIDE JAVA DECAF
- ➔ RIDE JAVA BACK

TO NETTI WHEELCHAIRS



Enable joy of life

Content

| | |
|--|---|
| 1. Mounting Ride Java Decaf back to Netti Dynamic S | 3 |
| Ride Java Decaf size Matrix | 5 |
| 2. Mounting Ride Java back to Netti wheelchairs with rectangular back rest tubes | 6 |
| Java back REGULAR size matrix | 7 |
| Java back TALL size matrix | 8 |
| Java back GRANDE size matrix | 9 |

JAVA DECAF mounting to Netti Dynamic S

Please use the back fixing brackets coming with the Decaf back.

For fixing to Netti Dynamic S:

Replace the back fixing screws with the Kit 89864 from Netti:

- * 4 pc M6 x 14 cylinder head screws
- * 4 pc M6 square nuts.

You need 5 mm Alan key.



MOUNTING:

Fold the Netti Dynamic S back forwards .

Insert 2 square-nuts into the back profile - on the back side.

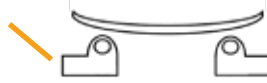
Please note that the back profile is opened up a little just above the bending angle to allow the nuts to be inserted into the profile.

2 pc M6 x 14 cylinder head screws are used to fix the Decaf back bracket to the square nuts just inserted into the back profile.

The Decaf height is adjusted by height positioning of the bracket.



Alt 1: Fix the brackets symmetrical, inwards and forwards directed as shown on the photo on the bottom of this page.



Alt 2: Turn the brackets inwards and backwards and fix them. This position brings the back more backwards and leaves more place on the seat.



Alt 3: Turn one of the brackets outwards. This increases the distance, and the back itself has to be moved sideways on the horizontal bar to be positioned central to the wheelchair seat.



Alt 4: Turn both brackets backwards and outwards to get the maximal distance between the back brackets.



The width and depth are adjusted by loosening the width and depth screws on the Decaf back.

When the adjustment screws are loosened the chair-back back-bolts can be placed into the back brackets. You are then free to define the depth and the position of the back.

Fix all screws well.

The quick release of the back is operated by loosening or locking the handle.

Please note: Detailed description of correct adjustments of the Decaf back is found in the user manual for the back.





Ride Designs®
 a branch of Aspen Seating,
 LLC
 toll-free 866.781.1633
 phone 303.781.1633
 fax 303.781.1722
 www.ridedesigns.com

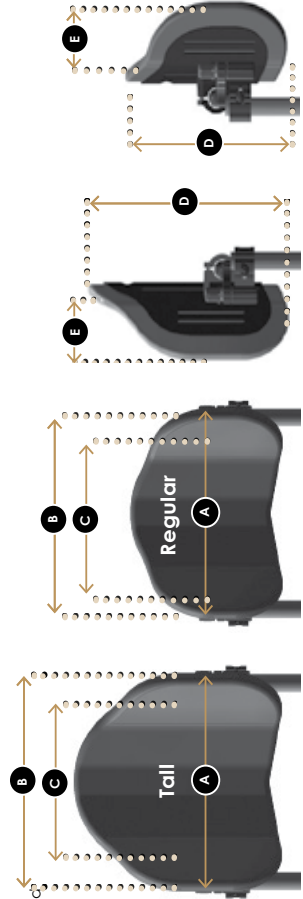
Ride® Java® Decaf Back Size Matrix

| Java Decaf Back Part # | Java Decaf Back Size | A. Fits Wheelchair Widths | B. Overall Back Width | C. Width (inside foam) | D. Back Height | E. Depth (inside foam) | Carrying Weight* | Total On-Chair Weight** |
|------------------------|----------------------|---------------------------|-----------------------|------------------------|----------------|------------------------|------------------|-------------------------|
| JB-1010D | 10" Regular | 10"-15" / 25cm - 38cm | 10.0" / 25.5cm | 8.5" / 21.6cm | 10.0" / 25.5cm | 2.0" / 5.0cm | 1.1 Kg | 1.5 Kg |
| JB-1013DT | 10" Tall | 10"-15" / 25cm - 38cm | 10.0" / 25.5cm | 8.5" / 21.6cm | 13.0" / 33.0cm | 2.0" / 5.0cm | 1.4 Kg | 1.8 Kg |
| JB-1212D | 12" Regular | 10"-15" / 25cm - 38cm | 12.0" / 30.5cm | 10.5" / 26.7cm | 12.0" / 30.5cm | 3.0" / 7.6cm | 1.3 Kg | 1.6 Kg |
| JB-1215DT | 12" Tall | 10"-15" / 25cm - 38cm | 12.0" / 30.5cm | 10.5" / 26.7cm | 15.0" / 38.1cm | 3.0" / 7.6cm | 1.5 Kg | 1.9 Kg |
| JB-1312D | 13" Regular | 10"-15" / 25cm - 38cm | 13.0" / 33.0cm | 11.5" / 29.2cm | 12.0" / 30.5cm | 3.0" / 7.6cm | 1.3 Kg | 1.7 Kg |
| JB-1315DT | 13" Tall | 10"-15" / 25cm - 38cm | 13.0" / 33.0cm | 11.5" / 29.2cm | 15.0" / 38.1cm | 3.0" / 7.6cm | 1.6 Kg | 2.0 Kg |
| JB-1412D | 14" Regular | 10"-15" / 25cm - 38cm | 14.0" / 35.6cm | 12.5" / 31.8cm | 12.0" / 30.5cm | 3.0" / 7.6cm | 1.4 Kg | 1.8 Kg |
| JB-1415DT | 14" Tall | 10"-15" / 25cm - 38cm | 14.0" / 35.6cm | 12.5" / 31.8cm | 15.0" / 38.1cm | 3.0" / 7.6cm | 1.7 Kg | 2.0 Kg |

Specifications are subject to change.

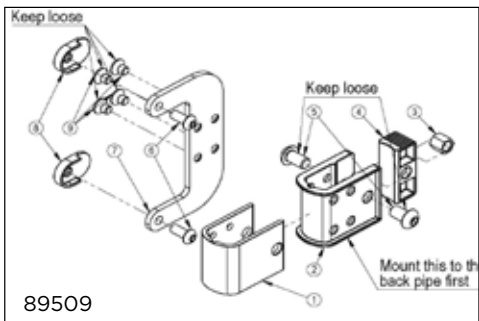
* Java Decaf Back with quick-release hardware attached

** Java Decaf Back, complete with all hardware.



JAVA BACK fixing to rectangular back tube on Netti wheelchairs

The adapter kit 89509 allows for fixing the Java back bracket to Netti wheelchair with rectangular back tubes.



Place the plastic liner over the rectangular back tube. Insert the spacer block and fix the bracket with a 8 mm screw using a 6 mm Alan key.



The Java back bracket is mounted to the Netti adapter kit. The Java back bracket has a quick release lock operated by pushing the lock handle.



Insert the 2 lower back bolts into the back bracket and fold the back backwards until the 2 upper bolts clicks into the bracket.



Please note: Detailed description of correct adjustments of the Java back is found in the user manual for the back.

Ride® Java® Back **Regular** Size Matrix



| Back Width | Fits Netti Wheelchair Widths | A: Overall Back Width | B: Width (Inside Foam) | C: Back Height | D: Back Depth | Carrying Weight*/ On-Chair Weight** | Article number |
|---|------------------------------|-----------------------|------------------------|----------------|---------------|-------------------------------------|------------------|
| HEIGHT: REGULAR – DEPTH: REGULAR | | | | | | | |
| 36 cm | 33-43 cm | 36 cm | 33 cm | 36 cm | 8 cm | 1,0 kg/1,7 kg | JB-1414 |
| 38 cm | 36-45 cm | 38 cm | 34 cm | 36 cm | 8 cm | 1,1 kg/1,9 kg | JB-1514 |
| 41 cm | 38-45 cm | 41 cm | 37 cm | 36 cm | 8 cm | 1,2 kg/2,0 kg | JB-1614 |
| 43 cm | 41-50 cm | 43 cm | 39 cm | 36 cm | 8 cm | 1,3 kg/2,1 kg | JB-1714 |
| 46 cm | 45-50 cm | 46 cm | 42 cm | 36 cm | 8 cm | 1,4 kg/2,2 kg | JB-1814 |
| 48 cm | 46-55 cm | 48 cm | 44 cm | 36 cm | 8 cm | 1,5 kg/2,3 kg | JB-1914 |
| 51 cm | 48-56 cm | 51 cm | 47 cm | 36 cm | 8 cm | 1,6 kg/2,4 kg | JB-2014 |
| HEIGHT: REGULAR – DEPTH: DEEP | | | | | | | |
| 36 cm | 33-43 cm | 36 cm | 33 cm | 36 cm | 15 cm | 1,1 kg/1,9 kg | JB-1414DP |
| 38 cm | 36-45 cm | 38 cm | 34 cm | 36 cm | 15 cm | 1,2 kg/2,0 kg | JB-1514DP |
| 41 cm | 38-45 cm | 41 cm | 37 cm | 36 cm | 15 cm | 1,3 kg/2,2 kg | JB-1614DP |
| 43 cm | 41-50 cm | 43 cm | 39 cm | 36 cm | 15 cm | 1,4 kg/2,2 kg | JB-1714DP |
| 46 cm | 45-50 cm | 46 cm | 42 cm | 36 cm | 15 cm | 1,5 kg/2,3 kg | JB-1814DP |
| 48 cm | 46-55 cm | 48 cm | 44 cm | 36 cm | 15 cm | 1,6 kg/2,4 kg | JB-1914DP |
| 51 cm | 48-56 cm | 51 cm | 47 cm | 36 cm | 15 cm | 1,7 kg/2,5 kg | JB-2014DP |

* Java Back, less mounting hardware, ** Java Back, complete with hardware.

Ride® Java® Back Tall Size Matrix



| Back Width | Fits Netti Wheelchair Widths | A: Overall Back Width | B: Width (Inside Foam) | C: Back Height | D: Back Depth | Carrying Weight* / On-Chair Weight** | Article number |
|--------------------------------------|------------------------------|-----------------------|------------------------|----------------|---------------|--------------------------------------|------------------|
| HEIGHT: TALL – DEPTH: REGULAR | | | | | | | |
| 36 cm | 33-43 cm | 36 cm | 33 cm | 46 cm | 8 cm | 1,2 kg/2,1 kg | JB-1418 |
| 38 cm | 36-45 cm | 38 cm | 34 cm | 46 cm | 8 cm | 1,3 kg/2,2 kg | JB-1518 |
| 41 cm | 38-45 cm | 41 cm | 37 cm | 46 cm | 8 cm | 1,5 kg/2,3 kg | JB-1618 |
| 43 cm | 41-50 cm | 43 cm | 39 cm | 46 cm | 8 cm | 1,6 kg/2,4 kg | JB-1718 |
| 46 cm | 45-50 cm | 46 cm | 42 cm | 46 cm | 8 cm | 1,7 kg/2,5 kg | JB-1818 |
| 48 cm | 46-55 cm | 48 cm | 44 cm | 46 cm | 8 cm | 1,7 kg/2,6 kg | JB-1918 |
| 51 cm | 48-56 cm | 51 cm | 47 cm | 46 cm | 8 cm | 1,8 kg/2,7 kg | JB-2018 |
| HEIGHT: TALL – DEPTH: DEEP | | | | | | | |
| 36 cm | 33-43 cm | 36 cm | 33 cm | 46 cm | 15 cm | 1,5 kg/2,3 kg | JB-1418DP |
| 38 cm | 36-45 cm | 38 cm | 34 cm | 46 cm | 15 cm | 1,5 kg/2,3 kg | JB-1518DP |
| 41 cm | 38-45 cm | 41 cm | 37 cm | 46 cm | 15 cm | 1,7 kg/2,5 kg | JB-1618DP |
| 43 cm | 41-50 cm | 43 cm | 39 cm | 46 cm | 15 cm | 1,7 kg/2,6 kg | JB-1718DP |
| 46 cm | 45-50 cm | 46 cm | 42 cm | 46 cm | 15 cm | 1,8 kg/2,7 kg | JB-1818DP |
| 48 cm | 46-55 cm | 48 cm | 44 cm | 46 cm | 15 cm | 2,0 kg/2,7 kg | JB-1918DP |
| 51 cm | 48-56 cm | 51 cm | 47 cm | 46 cm | 15 cm | 2,0 kg/2,8 kg | JB-2018DP |

* Java Back, less mounting hardware, ** Java Back, complete with hardware.

Ride® Java® Back Grande Size Matrix



| Back Width | Fits Netti Wheelchair Widths | A: Overall Back Width | B: Width (Inside Foam) | C: Back Height | D: Back Depth | Carrying Weight*/ On-Chair Weight** | Article number |
|--|------------------------------|-----------------------|------------------------|----------------|---------------|-------------------------------------|------------------|
| HEIGHT: GRANDE – DEPTH: REGULAR | | | | | | | |
| 36 cm | 33-43 cm | 36 cm | 33 cm | 56 cm | 8 cm | 1,4 kg/2,2 kg | JB-1422 |
| 38 cm | 36-45 cm | 38 cm | 34 cm | 56 cm | 8 cm | 1,8 kg/2,7 kg | JB-1522 |
| 41 cm | 38-45 cm | 41 cm | 37 cm | 56 cm | 8 cm | 2,0 kg/2,8 kg | JB-1622 |
| 43 cm | 41-50 cm | 43 cm | 39 cm | 56 cm | 8 cm | 2,1 kg/2,9 kg | JB-1722 |
| 46 cm | 45-50 cm | 46 cm | 42 cm | 56 cm | 8 cm | 2,2 kg/3,0 kg | JB-1822 |
| 48 cm | 46-55 cm | 48 cm | 44 cm | 56 cm | 8 cm | 2,3 kg/3,1 kg | JB-1922 |
| 51 cm | 48-56 cm | 51 cm | 47 cm | 56 cm | 8 cm | 2,4 kg/3,2 kg | JB-2022 |
| HEIGHT: GRANDE – DEPTH: DEEP | | | | | | | |
| 36 cm | 33-43 cm | 36 cm | 33 cm | 56 cm | 15 cm | 1,5 kg/2,3 kg | JB-1422DP |
| 38 cm | 36-45 cm | 38 cm | 34 cm | 56 cm | 15 cm | 2,0 kg/2,4 kg | JB-1522DP |
| 41 cm | 38-45 cm | 41 cm | 37 cm | 56 cm | 15 cm | 2,2 kg/3,0 kg | JB-1622DP |
| 43 cm | 41-50 cm | 43 cm | 39 cm | 56 cm | 15 cm | 2,3 kg/3,1 kg | JB-1722DP |
| 46 cm | 45-50 cm | 46 cm | 42 cm | 56 cm | 15 cm | 2,4 kg/3,2 kg | JB-1822DP |
| 48 cm | 46-55 cm | 48 cm | 44 cm | 56 cm | 15 cm | 2,5 kg/3,3 kg | JB-1922DP |
| 51 cm | 48-56 cm | 51 cm | 47 cm | 56 cm | 15 cm | 2,6 kg/3,4 kg | JB-2022DP |

* Java Back, less mounting hardware, ** Java Back, complete with hardware.

IN DIALOGUE WE CREATE SIMPLE SOLUTIONS AND ENABLE JOY OF LIFE

This mounting description is available in different languages to be downloaded from our homepage www.My.Netti.com

CE This product conforms to
93/42/EEC for medical products.

MD0164UK
2018-06

FEEL FREE TO CONTACT US:



Alu Rehab AS
Bedriftsvegen 23
4353 Klepp Stasjon
NORWAY

T: +47 51 78 62 20
post@My-Netti.com

Alu Rehab ApS
Kløftehøj 8
DK-8680 Ry

T: +45 87 88 73 00
F: +45 87 88 73 19
info@My-Netti.com