

# MOUNTING DESCRIPTION

KNEE- AND THIGH SUPPORT

ITEM NO 20830

*Enable joy of life*

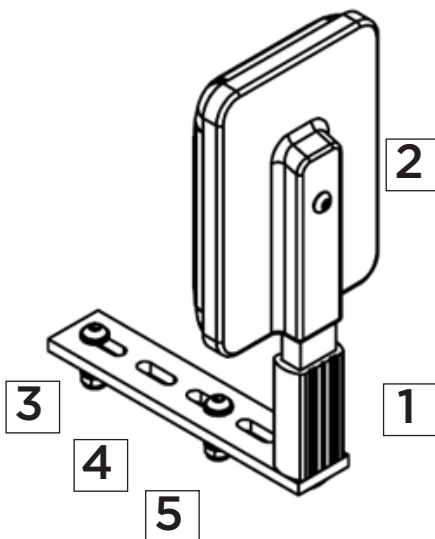
# KNEE- AND THIGH SUPPORT

Item number 20830

You will get the knee-and thigh support always complete with mounting material.

The kit consist of:

Number in drawing	Description	Quant.
1	Attachment bar	1
2	Knee and thigh support	1
3	Hex socket screw M6x25	2
4	Washer M6	4
5	Lock nut M6	2



You need following tools:

Awl, drilling machine, 6mm drill, 4mm Allen key and open-end spanner size 10.

Please find mounting description on the next page.

1. Place the seat cushion on top of the seat plate.
  2. Transfer the user into the chair and get him in the right position.
  3. Place the attachment bar (1) at the left or right side of the thigh according to your need on top of the seat plate and under the seat cushion.
  4. Find now the right support area at the thigh and mark this position.
  5. Transfer the user out of the chair.
  6. Mark the holes you are going to drill in the seat plate with an awl and drill 2 M6 holes (be aware of drilling the holes within the slots of the attachment bar to have the possibility to adjust the bar after)
  7. Place 2 washer (4) on top of the attachment bar and put the hex socket screws (3) through attachment bar and seat plate.
  8. Now put the lock nuts (5) with the other 2 washer (4) from the underside of the seat plate on the screws and tight them firmly.
  9. Put the knee-and thigh support (2) into the attachment bar (1)
  10. For a sideward transfer you can easily remove the knee-and thigh support by lifting the knee-and thigh support upwards
- ! Please note to place the knee-and thigh support not to close to the thigh to avoid permanent high pressure!!!**

You can find this manual also on our web page: <http://www.my-netti.com/downloads/manuals>

Feel free to contact us if you have further questions.

# IN DIALOGUE WE CREATE SIMPLE SOLUTIONS AND ENABLE JOY OF LIFE

This mounting description is available in different languages to be downloaded from our homepage [www.My.Netti.com](http://www.My.Netti.com)

 This product conforms to 93/42/EEC for medical products.

MD0100UK  
2016-02

FEEL FREE TO CONTACT US:



Alu Rehab AS  
Bedriftsvegen 23  
4353 Klepp Stasjon  
NORWAY

T: +47 51 78 62 20  
[post@My-Netti.com](mailto:post@My-Netti.com)

Alu Rehab ApS  
Kløftehøj 8  
DK-8680 Ry

T: +45 87 88 73 00  
F: +45 87 88 73 19  
[info@My-Netti.com](mailto:info@My-Netti.com)

[My-Netti.com](http://My-Netti.com)