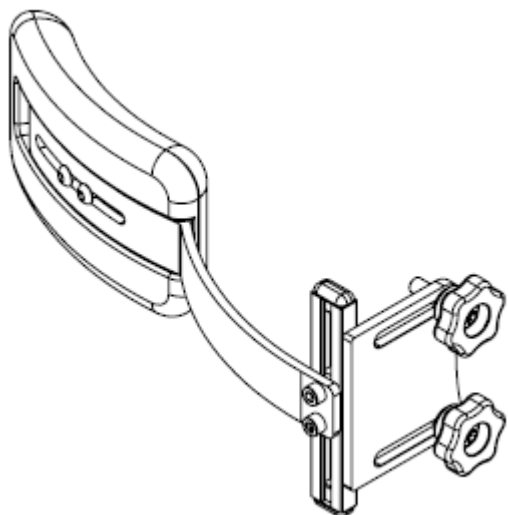


Mounting description – Side support Basic

Item number 86146

Side support Basic for Netti 4U CE (round back tube)



This side support can be adjusted in height, depth and side wards.

Please note: this side support can only be used for wheel chair Netti 4U CE!

At the following page you will find a description how to mount and how to adjust this side support.

Open the back cushion fabric by pulling the zipper upwards.

At the back you will find 2 implemented threads.



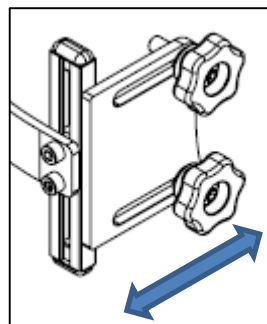
To mount the star wheel to the back you need to make 2 holes in the fabric with a screwdriver.

After close the zipper again by pulling the zipper down wards.

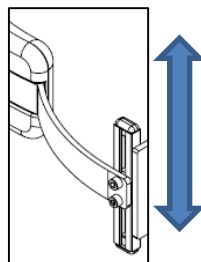


Mount the adapter plate with the 2 star wheels at the back.

With the adapter plate you can adjust the side support side wards.



To adjust the side support in height you need to use the vertical adapter.



Before adjusting the height please define the long lasting seating position of the user. Untighten the 2 screws and adjust the desired height. After tighten the screws firmly.

The side support pad you can adjust along the Slotted hole you can see outside of the side support.

Untighten the 2 screws and adjust the desired depth. After tighten the screws firmly.

