



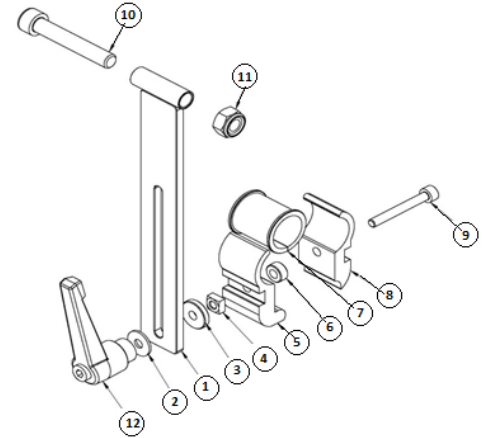
## MOUNTING DESCRIPTION

### Tilt Lock for Netti III

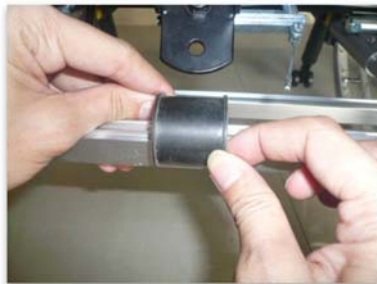
Item no. 43032

This Mounting description shows how to install a Tilt-Lock to a Netti III. The kit consists of 1 item Tilt-Lock 43032 and its following parts:

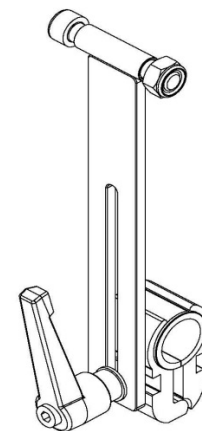
Pos.	Quantity	Description
1	1	Bracket
2	1	Washer 6,4 x 18
3	1	Washer 20 x 6,3
4	1	M6 Square nut
5	1	Clamp part left
6	1	Washer 12,5 x 6,3
7	1	Bushing
8	1	Clamp part right
9	1	M6x45 Hex socket screw
10	1	M10x60 Hex socket screw
11	1	M10 Lock nut
12	1	Latch lever



Picture 1:



Place bushing (Pos. 7) onto lower spacing profile at Netti III chair frame.



Picture 2 and 3:



Add screw (Pos. 9), clamp L (Pos. 5), clamp R (Pos. 8), washer (Pos. 6) and square nut (Pos. 4) to already installed bushing. Then tighten screw.

Picture 4:



Mount washer (Pos. 3), bracket (Pos. 1), washer (Pos. 2) and latch lever (Pos. 12).

Picture 5:



Mount screw (Pos. 10) and lock nut (Pos. 11) to bracket and gas cylinder tilting attachment on the frame. Then tighten screw and lock nut.

Picture 6:



Tighten latch lever when tilt position found.

Note: In use the latch lever should be adjusted in an upright position by pulling the latch lever and turning it upwards.

This instruction is part of every Tilt lock and must therefore be forwarded to the user or carer and should be stored.

**If you have any further question related to this item or mounting description, please contact our customer service desk.**

This mountings description is also available as download from: <http://www.my-netti.com/downloads/manuals>