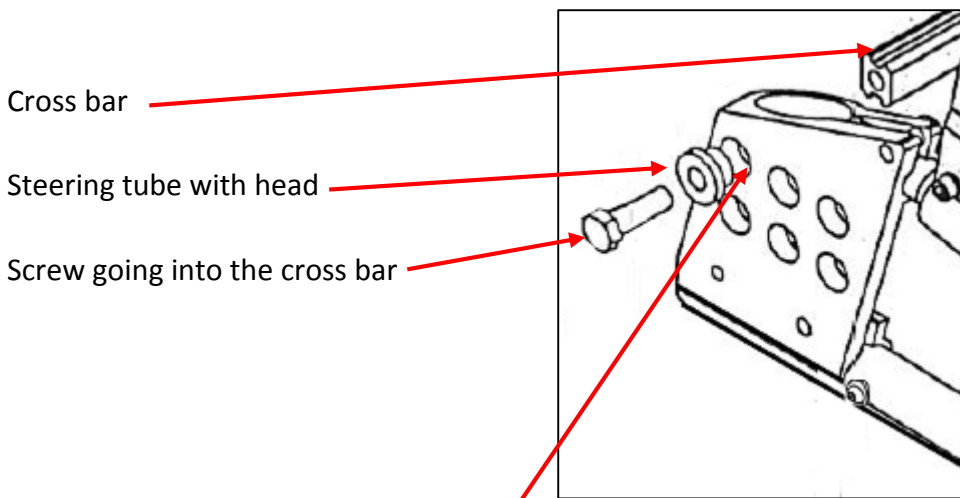


Mounting advice – Wheel bracket 25845 and frame extension 20824 on a Netti Mini

When mounting a wheel bracket kit for 12” or 16”-Rear wheels (Item 25845) or a frame extension kit (Item 20824) at a Netti Mini there is a fact you need to take in account to avoid conflicts.

In the bigger image we show a steering tube with head. This is standard on a Netti Mini. You need to replace this steering tube with head with a steering tube having now head (Item 87426).

This is to get the bracket flat mounted to the frame part and to centre the screw which will go into the cross bar.

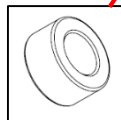


Cross bar

Steering tube with head

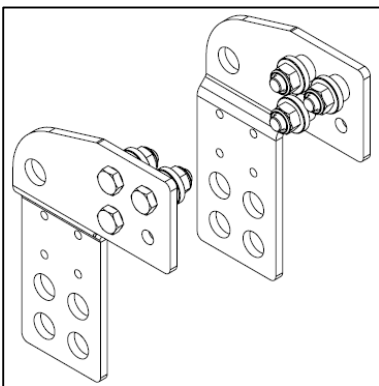
Screw going into the cross bar

Steering tube without head:

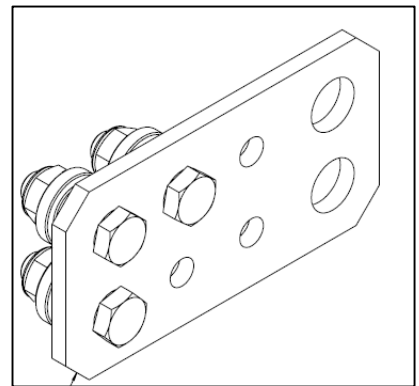
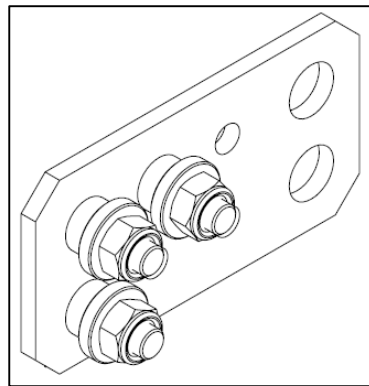


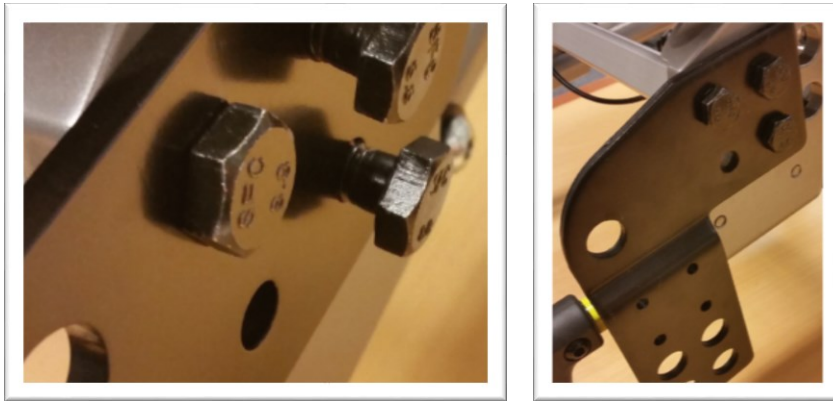
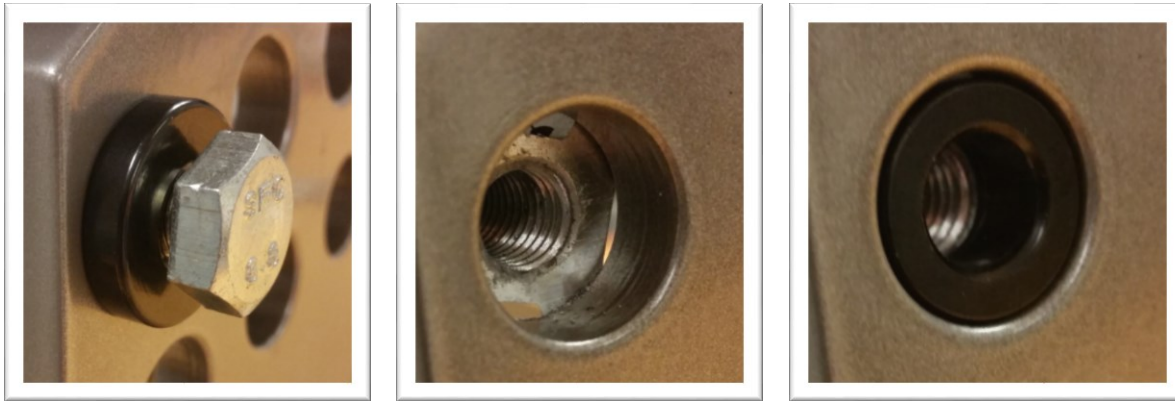
Place this steering tube into the hole of the frame part to centre the screw on both sides.

Wheel bracket 25845



Frame extension kit 20824





Contact:

NORWAY: Alu Rehab AS | Bedriftsvegen 23 | N-4353 Klepp stasjon | post@My-Netti.com | Phone +47 51 78 62 20
DENMARK: Alu Rehab ApS | Kløftehøj 8 | DK-8680 Ry | info@My-Netti.com | Phone +45 87887300

This mountings description is also available as download:

<http://www.my-netti.com/downloads/manuals>

2016-11-MD0126UK