

MOUNTING DESCRIPTION

CLOTH AND FINGER PROTECTION
FOR NETTI III DYNAMIC



Enable joy of life

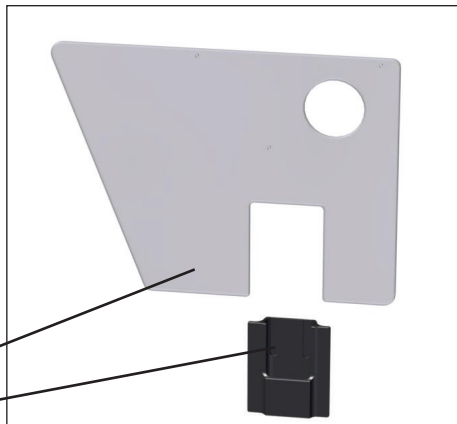
CLOTH AND FINGER PROTECTION

- Mounting description for replacing a cloth protector on a Netti III wheelchair.

The cloth and finger protection kit for each side consist of:

- * Cloth protector plate - large
- * Finger-protection brackets
- * 3 pc 3mm rivets.

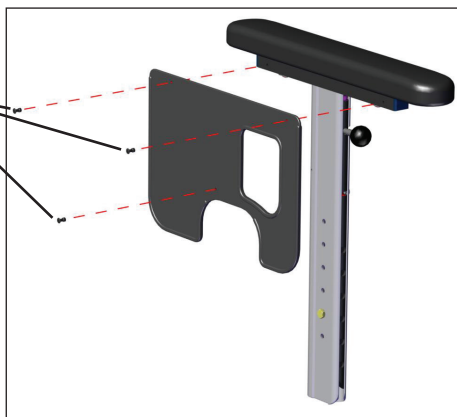
Start by removing the arm support from the wheelchair



Remove the 3 rivets holding the standard cloth protector plate.



Use a 3 mm drill

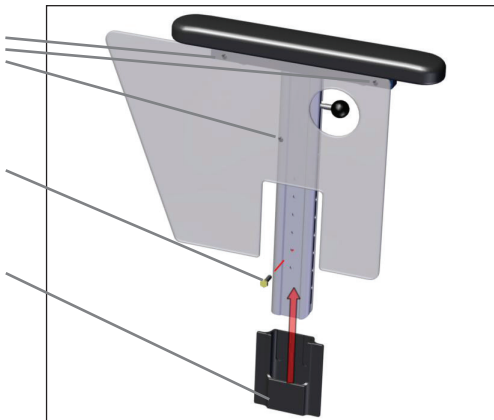


Fix the new, large cloth protector plate with 3 new rivets - using the same holes where the standard cloth protector was fixed..

Unscrew the positioning screw defining the arm supports lowest height.

Insert the arm support vertical profile into the finger protection bracket.

Insert the positioning screw to the vertical bracket in desired height.

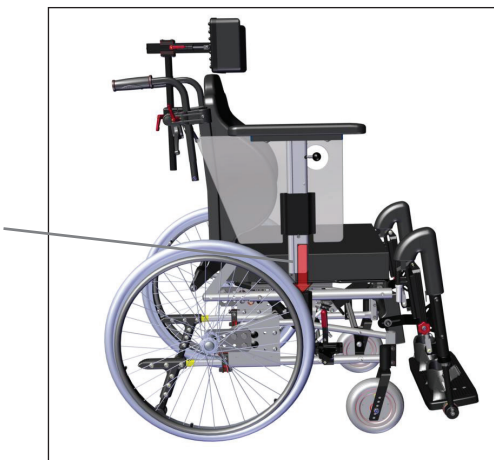


Please note: The size of the finger protection bracket is sufficient to cover the 3 possible upper positions of the arm support.

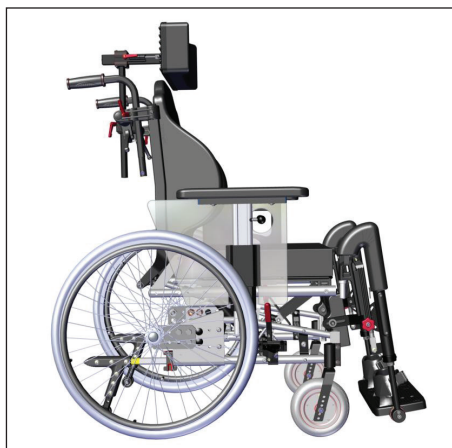
When the arm support is used in positions lower than the 3 highest, the standard cloth protector plate covers all sideways holes and additional finger protection is not needed.

Mount the arm support as usual.

Repeat the replacement of the cloth and finger protector on the other side arm support.



All available sideway openings under the seat plate from the inside and the outside of the wheelchair, are now covered.



IN DIALOGUE WE CREATE SIMPLE SOLUTIONS AND ENABLE JOY OF LIFE

This mounting description is available in different languages to be downloaded from our homepage www.My.Netti.com

CE This product conforms to
93/42/EEC for medical products.

MD0158 UK
2018-02

FEEL FREE TO CONTACT US:



Alu Rehab AS
Bedriftsvegen 23
4353 Klepp Stasjon
NORWAY

T: +47 51 78 62 20
post@My-Netti.com

Alu Rehab ApS
Kløftehøj 8
DK-8680 Ry

T: +45 87 88 73 00
F: +45 87 88 73 19
info@My-Netti.com

My-Netti.com